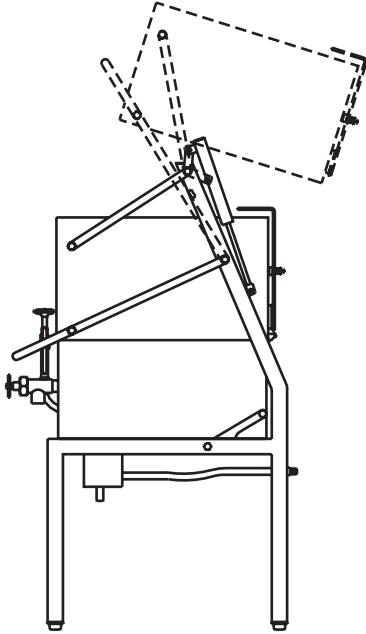


Insulated Multi-Functional Cookers

Direct Steam
Insulated for Safety™
10° Tilting,
Made in USA

Model DSK

Standard Features



Model DSK10-7

- ◆ 304 stainless food contact zone with:
304 stainless 1 1/2" compression draw-off
- ◆ 304 stainless seam welded pan body with:
10° tilting pan, 31" working height
Insulated sides and bottom
Tapered access rim
Steam control (1" ball valve)
- ◆ Maximum operating pressure 125 psi (353° F)
- ◆ Safety valve, 125 psi
- ◆ Patented 304 stainless seam welded Capsule Lid with:
Variable position, actuator-assisted opening
Insulated sides and top
Adjustable steam vent
"L" Lid condensate containment
- ◆ Cassette rack(s) for 12 x 20 food pans
- ◆ 304 stainless, seam welded component enclosure
- ◆ 304 stainless, seam welded tubular frame construction
- ◆ Single ball valve with 48" s/s flexible spray hose assembly
- ◆ Adjustable flanged feet

Legion equipment is built to comply with applicable standards for manufacturers. Approval agencies may include ASME, NSF, UL, ETL, AGA, CSA, CGA, and others. Legion reserves the right of design improvement or modification as warranted.

Models and Capacities

Model*	2.5" Insert Pans	Cooking Baskets	Griddle Area (in. ²)	Kettle (Gals.)	Frying Oil (lbs.)	Oven Volume (ft. ³)
DSK10-5	10	8	703	15.2	70	7.7
DSK10-7	10	8	703	21.3	70	8.5
DSK10-9	10	8	703	27.4	70	9.4
DSK10-11	10	8	703	33.5	70	10.2
DSK15-5	15	12	1029	22.3	105	11.3
DSK15-7	15	12	1029	31.2	105	12.5
DSK15-9	15	12	1029	40.1	105	13.7
DSK15-11	15	12	1029	49.0	105	14.9

Select draw-off valve: __1.5" __2" __3"
With: __compression __ball type fitting

Revision 113

Optional Features and Accessories

See price list for supplemental information regarding options

Faucet Options:

- _Single or dual faucet with bracket & 12" or 18" swing nozzle
- _48" flexible spray hose assembly (pvc or stainless) for dual or single faucet
- _Faucet bracket
- _Automatic water filling meter

(Call for information regarding additional faucet options)

Prison/Security Options:

- _Fasteners (screws & nuts)
- _Tamper resistant pin torx key
- _Draw-off nut driver tool
- _Screw driver tool
- _Lockable control cover
- _Draw-off protection

Other Options:

- _Knockdown capability for 26" x 66" opening (shipped assembled)

Accessories:

- _Perforated cooking/steaming basket (11" x 20 1/2" x 5")
- _Perforated or solid 12 x 20 food pans, 2 1/2, 4 or 6 inch deep
- _Draw-off drain spout
- _Draw-off strainer
- _Draw-off drain hose
- _#10 Can holder for draw-off
- _Flat bottom scoop
- _Fry scoop
- _Skittle care kit

Steam Trap Kits:

- _Steam trap kit, standard finish
- _Steam trap kit, bright nickel-plated finish



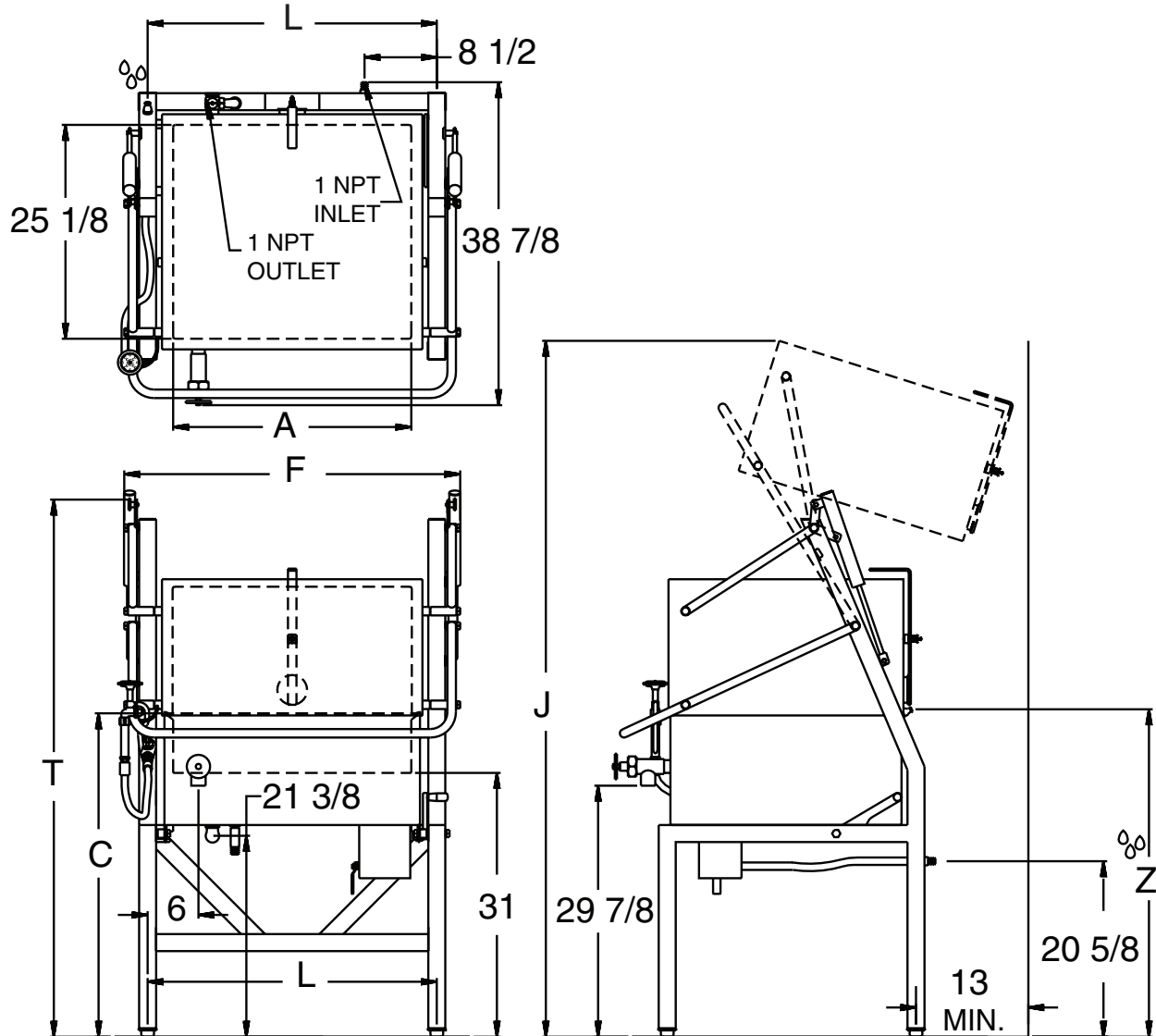
LEGION Legion Industries, Inc. P.O. Office Box 728 Waynesboro, GA 30830 (800) 887-1988
(706) 554-4411 Fax: (706) 554-2035 www.legionindustries.com sales@legionindustries.com

Model DSK

Direct Steam
Insulated for Safety™
10° Tilting,
Made in USA

Insulated Multi-Functional Cookers

DRAWING REPRESENTS MODEL DSK10-7 WITH 1 1/2" DRAW-OFF



Direct Steam Skittle® Cooker Dimensions

Model*	A	F	L	P	Model	A	F	L	P	Depth	C	J	T	Z
DSK10-5	28.0	39.5	34.0	26.4	DSK15-5	41.0	52.5	47.0	39.4	5	36.0	79.8	61.1	36.3
DSK10-7	28.0	39.5	34.0	26.4	DSK15-7	41.0	52.5	47.0	39.4	7	38.0	81.8	63.1	38.3
DSK10-9	28.0	39.5	34.0	26.4	DSK15-9	41.0	52.5	47.0	39.4	9	40.0	83.8	65.1	40.3
DSK10-11**	28.0	39.5	34.0	26.4	DSK15-11**	41.0	52.5	47.0	39.4	11	42.0	85.8	67.1	42.3

*Dimensions on these drawings are applicable only when using a 1.5" diameter draw-off valve. If a 2" or 3" diameter draw-off valve is required, contact Legion for applicable dimensions.

**Note: Vertical dimensions of 11" deep pan may be reduced by 2" to match 9" deep pan with shorter legs.

U.S. PATENT NOS. 5,553,531, 5,964,145 & 3,71,715

Revision 113



LEGION Legion Industries, Inc. P.O. Office Box 728 Waynesboro, GA 30830 (800) 887-1988
(706) 554-4411 Fax: (706) 554-2035 www.legionindustries.com sales@legionindustries.com