

HEAVY DUTY KETTLE TOOLS

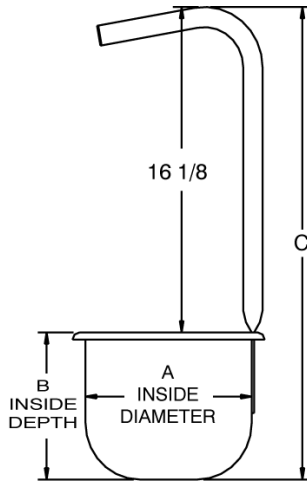
Heavy Duty Construction

Made in USA

Ladles

STANDARD FEATURES

Ergonomically designed L-shaped handle places hand directly over the center of gravity allowing a comfortable reach deep into the kettle and efficient transfer of food product.



Kettle Ladle with ergonomic handle 2, 3, 4, or 6 quart capacity

- 1" diameter, 304 stainless, ergonomically designed, 16 gauge L-shaped handle, seam welded to bowl
- 304 stainless, 18 gauge deep drawn bowl with rolled rim
- NSF Approved

MODELS and SIZES				
Model	Capacity	A	B	X
L2	2 qt.	8.1	3.0	19.2
L3	3 qt.	8.1	4.0	20.2
L4	4 qt.	8.5	5.5	21.7
L6	6 qt.	8.5	7.3	23.4

REVISION 113

Kettle Ladle with straight handle, 4 or 6 quart capacity, 16 gauge handle

- 1 1/4" diameter, 304 stainless straight handle, seam welded to bowl
- 304 stainless, 14 gauge deep drawn bowl with reinforced bar rim
- NSF Approved

