

Insulated Direct Steam Kettle

**2/3 Jacketed
Insulated for Safety™
Deep Drawn Construction
Stationary, Leg Mounted
Made in USA**

Model LTI

STANDARD FEATURES



Model LTI-40

Legion equipment is built to comply with applicable standards for manufacturers. Approval agencies may include ASME, NSF, UL, ETL, AGA, CSA, CGA, and others. Legion reserves the right of design improvement or modification as warranted.

- ◆ Kettle System
 - ◇ Seamless deep-drawn 304 kettle liner
 - ◇ 304 stainless draw-off tube and welds
 - ◇ 304 stainless 2" compression draw-off valve
- ◆ 304L seamless, deep-drawn, stainless kettle jacket
- ◆ 3304 stainless outer casing seam welded to radius lip
- ◆ 304 stainless legs provided with reinforcing bracing
 - ◇ 4 legs for 20 - 125 gallon, 2" diameter
- ◆ Full body insulation between kettle jacket and outer casing
- ◆ Adjustable flanged feet
- ◆ 304 stainless, one piece, domed cover, actuator-assisted on 40 - 80 gallon
- ◆ Condensate drain and steam supply provided with rear connections
- ◆ Front mounted steam control valve
- ◆ 30 psi operating pressure
- ◆ Perforated disk strainer, 1/4" holes

Models and Capacities

LTI-20	20 gal.	76 l.
LTI-30	30 gal.	114 l.
LTI-40	40 gal.	151 l.
LTI-50	50 gal.	189 l.
LTI-60	60 gal.	227 l.
LTI-80	80 gal.	303 l.
LTI-100	100 gal.	379 l.
LTI-125	125 gal.	473 l.

Optional Features and Accessories

See price list for supplemental information regarding options

Faucet Options:

- _ Single or double fill faucet with bracket & 12" or 18" swing nozzle
- _ 48" flexible spray hose assembly (vinyl or stainless) for use with dual or single fill faucet
- _ Faucet bracket
- _ Automatic water filling meter

(Call for information regarding additional faucet options)

Prison/Security Options:

- _ Fastener (nut for draw-off)
- _ Draw-off nut driver tool
- _ Lockable lid
- _ Draw-off protection
- _ Steam control valve protection

Other Options:

- _ Air eliminator valve
- _ Pressure reducing valve
- _ Connection plumbing parts kit
- _ Mixer/Agitator, 2 speed
- _ Lift-off cover
- _ 1 piece actuator-assisted cover, 20 - 30 gallon
- _ 2 piece hinged cover
- _ Higher operating pressure

Accessories:

- _ Single basket insert, 20 - 40 gallon
- _ Tri-basket insert
- _ Nylon bag insert with spreader ring
- _ Draw-off drain hose
- _ Measuring strip
- _ Perforated disk strainer 1/8" holes
- _ Kettle care kit

Select draw-off valve: 2" 3"

With: compression ball type fitting

See price list for other draw-off options.

Revision 113



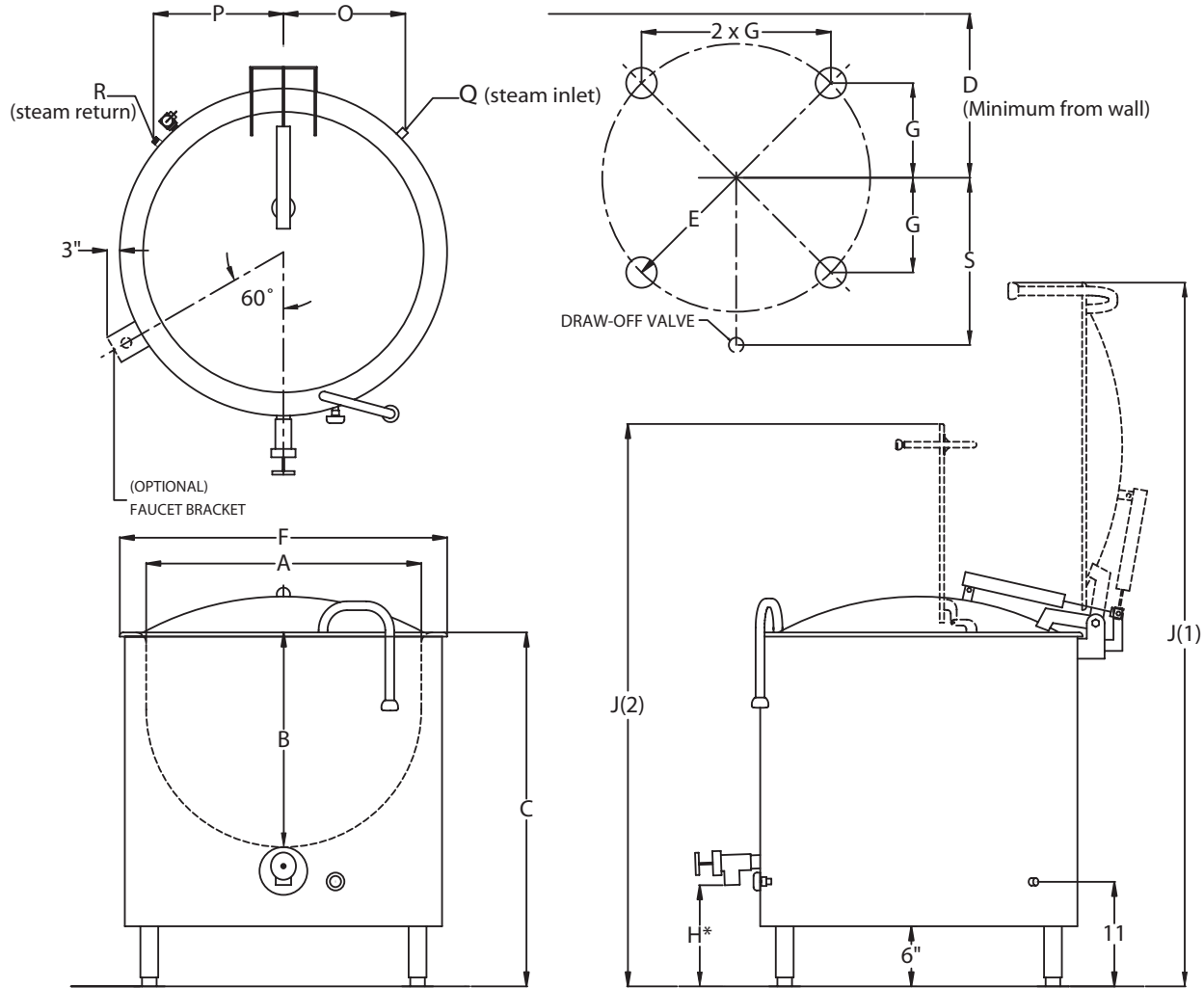
LEGION Legion Industries, Inc. P. O. Office Box 728 Waynesboro, GA 30830 (800) 887-1988
(706) 554-4411 Fax: (706) 554-2035 www.legionindustries.com sales@legionindustries.com

Model LTI

**2/3 Jacketed
Insulated for Safety™
Deep Drawn Construction
Stationary, Leg Mounted
Made in USA**

Insulated Direct Steam Kettle

DRAWING REPRESENTS MODEL LTI-60



MODEL LTI DIMENSIONS

Gal.	A	B	C	D	E	F	G	H* (2")	H* (3")	J1	J2	O&P	Q	R	S
20	22.0	16.0	31.0	23.1	13.3	28.6	9.4	11.5	10.5	62.6	51.8	9.9	.75	.50	16.5
30	23.0	20.3	35.6	23.6	13.8	29.6	9.7	11.5	10.5	68.2	56.9	10.3	.75	.50	17.0
40	25.5	22.3	36.8	24.8	15.0	32.4	10.6	11.5	10.5	72.2	60.0	11.1	.75	.50	18.3
50	29.5	21.8	36.5	26.8	16.8	36.4	11.9	11.5	10.5	75.9	61.7	12.6	.75	.50	20.3
60	29.5	25.0	39.7	26.8	16.8	36.4	11.9	11.5	10.5	79.1	64.9	12.6	.75	.50	20.3
80	32.5	27.6	43.0	28.3	18.3	39.6	12.9	11.5	10.5	85.6	71.1	13.6	1.00	.75	21.8
100	39.0	25.9	40.7	31.6	21.6	45.7	15.2	11.5	10.5	89.4	72.3	15.9	1.00	.75	25.0
125	44.0	26.3	41.4	34.1	24.1	50.4	17.0	11.5	10.5	94.8	75.3	17.7	1.25	.75	27.5

*"H" dimension varies with draw-off size selection.

Revised 113



LEGION Legion Industries, Inc. P.O. Office Box 728 Waynesboro, GA 30830 (800) 887-1988
(706) 554-4411 Fax: (706) 554-2035 www.legionindustries.com sales@legionindustries.com