

HEAVY DUTY KETTLE TOOLS

Heavy Duty Construction

Made in USA

Paddles

STANDARD FEATURES

Incomparable choice, these heavy duty paddle tools with blending perforations are ideal for stirring, or spreading any consistency of food product in large kettles.

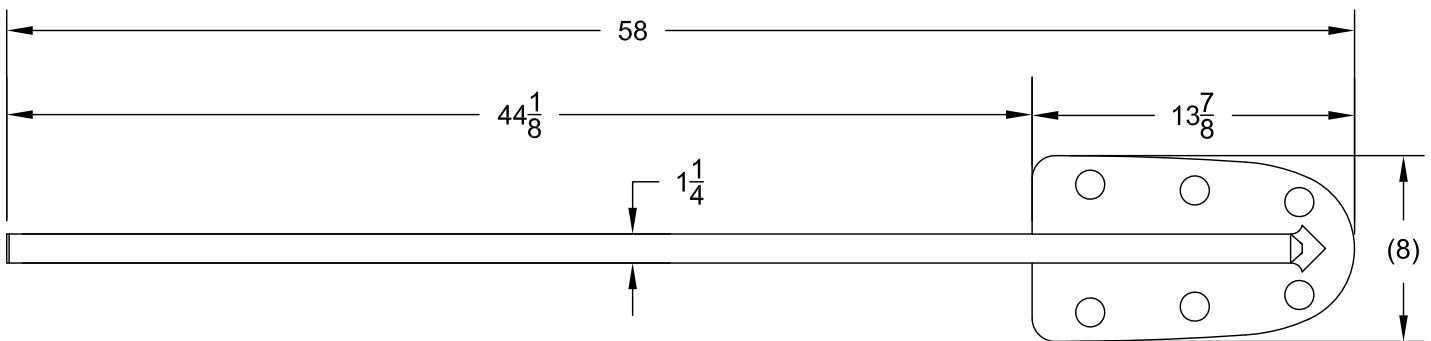
Kettle Paddle with straight handle Small or large size, 11 or 16 gauge handle

- 1 1/4" diameter, 304 stainless straight handle, seam welded to paddle head
- 12 gauge, 304 stainless paddle head contoured to fit inside kettle shell with 1 1/4" holes
- NSF Approved

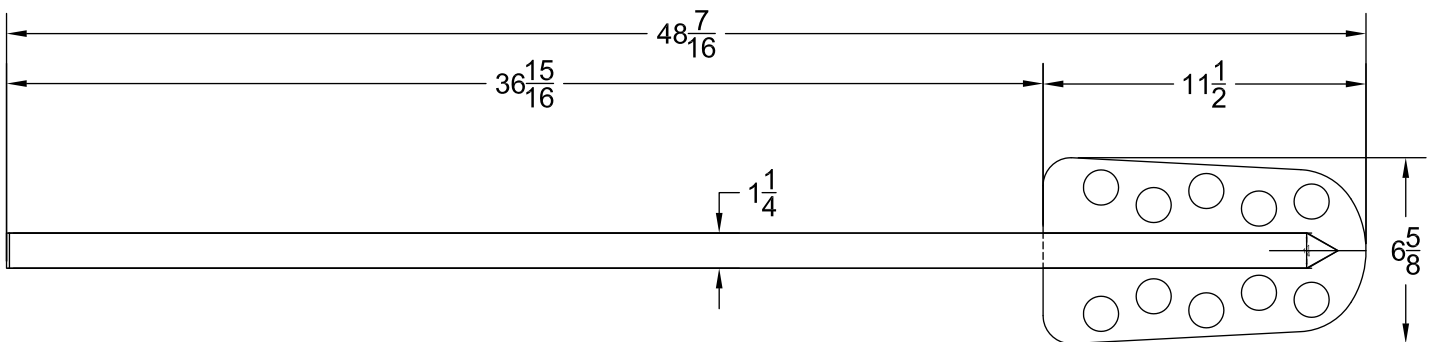
MODELS and SIZES		
Model	Length	Handle Gauge
PS	48	16
PS-11	48	11
PL	58	16
PL-11	58	11
PL-2BLADE	58	16
PL-2BLADE-11	58	11

REVISION 113

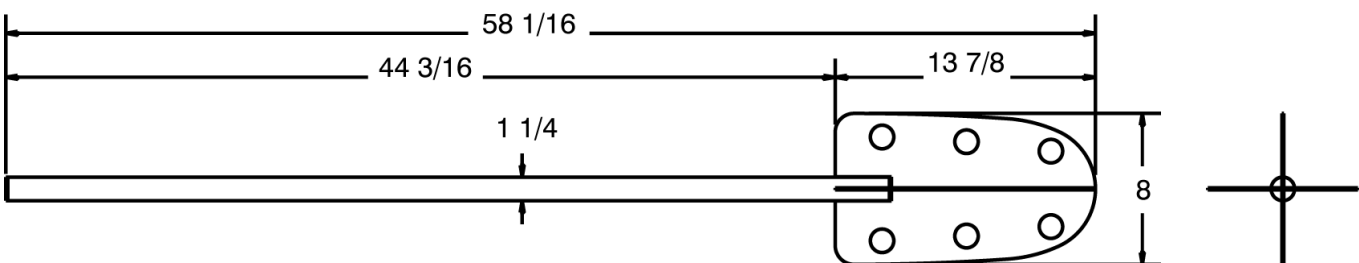
Models PL & PL-11



Models PS & PS-11



Models PL-2BLADE & PL-2BLADE-11



LEGION Legion Industries, Inc. P.O. Office Box 728 Waynesboro, GA 30830 (800) 887-1988
(706) 554-4411 Fax: (706) 554-2035 www.legionindustries.com sales@legionindustries.com