

Direct Steam Kettle

2/3 Jacketed
Deep Drawn Construction
Tilting, Table Mounted
Made in USA

Model TAT & TFN

Standard Features



Model TAT-20

- ◆ Seamless, deep-drawn 304 stainless kettle liner
- ◆ 304L seamless, deep-drawn stainless kettle jacket
- ◆ 304 stainless insulating support tubes
- ◆ Steam supply control valve
- ◆ Positive position locking mechanism
- ◆ 30 psi operating pressure



Model TFN-20

(shown mounted on optional LSC table with single fill faucet with riser)

- ◆ Seamless, deep-drawn 304 stainless kettle liner
- ◆ 304L seamless, deep-drawn stainless kettle jacket
- ◆ 304 stainless support arms, base plate and trunnion housing
- ◆ 30 psi operating pressure

Legion equipment is built to comply with applicable standards for manufacturers. Approval agencies may include ASME, NSF, UL, ETL, AGA, CSA, CGA and others. Legion reserves the right of design improvement or modification as warranted.

Models and Capacities

TAT-10	10 qt.	9.5 l
TAT-20	20 qt.	19 l
TAT-40	40 qt.	38 l
TFN-10	10 qt.	9.5 l
TFN-20	20 qt.	19 l

Optional Features and Accessories

See pricelist for supplemental information regarding options

Faucet Options:

- _Single or double faucet with bracket & 12" or 18" swing nozzle
- _48" flexible spray hose assembly (pvc or stainless) for dual or single fill faucet
- _Riser for table mounted fill faucet
- _Automatic water filling meter

(Call for information regarding additional faucet options)

Covers:

- _Lift-off 10 qt.
- _Lift-off 20 - 40 qt.

Accessories:

- _Care kit
- _Single basket, 20 - 40 qt.
- _Nylon bag insert with spreader ring

Steam Trap Kits:

- _Steam trap kit, bright nickel-plated finish

Other Options:

- _Air eliminator valve
- _Pressure reducing valve
- _Mixer/agitator, single speed

Tables:

- _L5C-1 Table for one (1) TFN kettle
 - _L5C-2 Table for two (2) TFN kettle
 - _L5C-3 Table for three (3) TFN kettle
 - _R-337-1 Table for one (1) TAT kettle
 - _R-337-2 Table for two (2) TAT kettle
 - _R-337-3 Table for three (3) TAT kettle
- (Call for information regarding table configurations available)

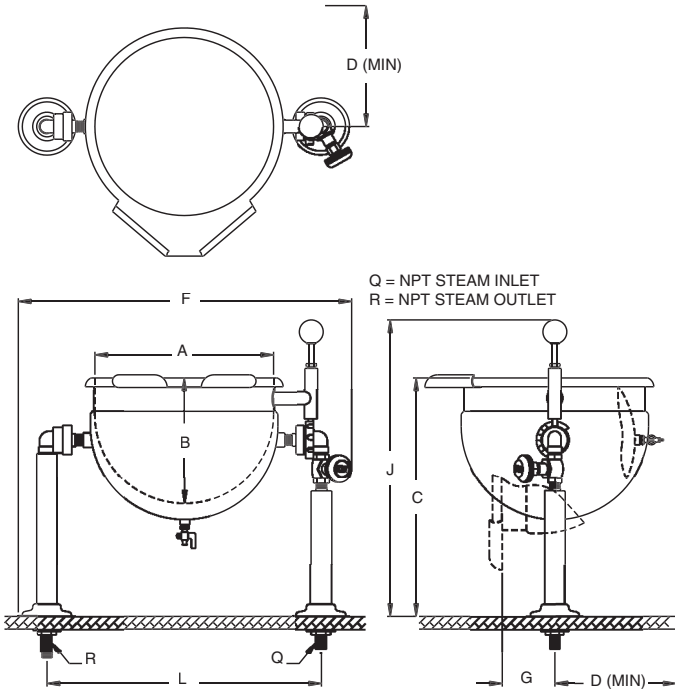


Model TAT & TFN

2/3 Jacketed
Deep Draw Construction
Tilting, Table Mounted
Made in USA

Direct Steam Kettle

DRAWING REPRESENTS MODEL TAT-20 QUART

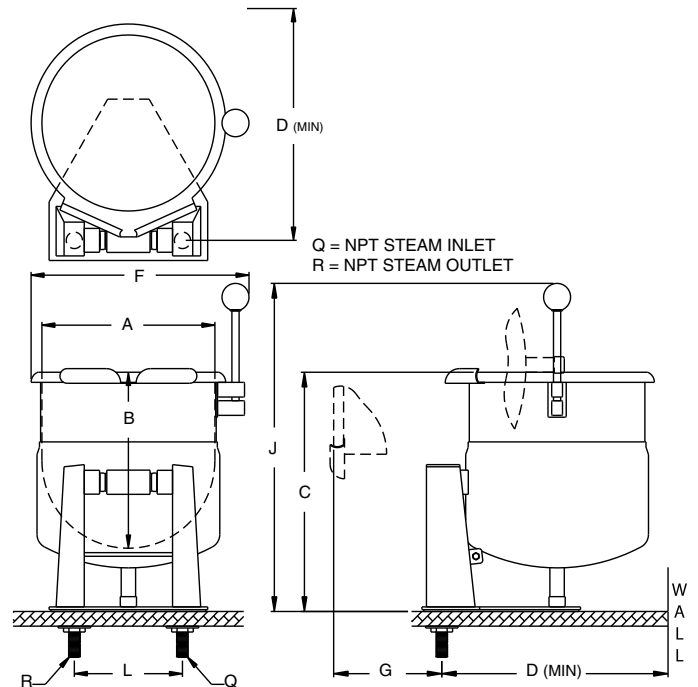


MODEL TAT DIMENSIONS			
Capacity	10 qt.	20 qt.	40 qt.
A	12.0	14.0	16.0
B	7.8	9.9	14.0
C	16.5	18.8	22.5
D	9.4	9.5	11.9
F	24.5	26.5	28.5
G	4.4	4.9	6.9
J	21.5	23.3	27.0
L	19.5	21.5	23.5
Q	.50	.50	.50
R	.50	.50	.50

Revision 113

DRAWING REPRESENTS MODEL TFN-20 QUART

MODEL TFN DIMENSIONS		
Capacity	10 qt.	20 qt.
A	10.0	12.0
B	10.0	12.0
C	16.3	16.3
D	14.5	15.5
F	14.8	16.9
G	7.5	7.5
J	22.3	22.3
L	7.5	7.5 </td
Q	.50	.50
R	.50	.50



Revision 113



LEGION Legion Industries, Inc. P.O. Office Box 728 Waynesboro, GA 30830 (800) 887-1988
(706) 554-4411 Fax: (706) 554-2035 www.legionindustries.com sales@legionindustries.com