

Insulated Self-Contained Kettle

**Electric, 2/3 Jacketed
Insulated for Safety™
Deep Drawn Construction
Tilting, Floor Mounted
Made in USA**

Model TWE

Standard Features



**Model TWE-60
(with optional 1 1/2 draw-off valve)**

- ◆ Kettle System
 - ◇ Seamless deep-drawn 304 kettle liner with a integrally formed radius lip
- ◆ 304L stainless kettle jacket
- ◆ Kettle protection system
 - ◇ Thermostat temperature control, 150°F - 260°F
 - ◇ Pressure relief valve
 - ◇ Air eliminator valve
 - ◇ Pressure gauge
 - ◇ Jacket-water fill
 - ◇ Automatic low water cut off and indicator light
 - ◇ Field replaceable heating elements
 - ◇ Tilting cut-off switch
- ◆ Full body insulation between kettle jacket and outer casing
- ◆ 304 stainless outer casing seam welded to radius lip
- ◆ 304 stainless, seam welded control console
- ◆ 304 stainless, reinforced gear box
- ◆ Self-locking worm gear tilt mechanism
- ◆ 304 stainless, 2" tubular support frame
- ◆ Adjustable flanged feet

Legion equipment is built to comply with applicable standards for manufacturers. Approval agencies may include ASME, NSF, UL, ETL, AGA, CSA, CGA, and others. Legion reserves the right of design improvement or modification as warranted.

Models and Capacities

TWE-20	20 gal.	(76 l.)
TWE-30	30 gal.	(114 l.)
TWE-40	40 gal.	(151 l.)
TWE-60	60 gal.	(227 l.)

Select draw-off valve: 2" 3"

With: compression ball type fitting
See price list for other draw-off options.

Select Voltage: 208V 240V 380V
 415V 440V 480V

Revision 113

Optional Features and Accessories

See price list for supplemental information regarding options

Faucet Options:

- Single or dual faucet with bracket & 12" or 18" swing nozzle
 - 48" flexible spray hose assembly (vinyl or stainless) for dual or single faucet
 - Faucet bracket
 - Automatic water filling meter
- (Call for information regarding additional faucet options)*

Prison/Security Options:

- Fasteners (screws & nuts)
- Tamper resistant driver tools
- Lockable control cover

Other Options:

- Electric timer with buzzer
- Pressure switch
- Mixer/agitator, 2 speed

Accessories:

- Pour lip pan holder assembly
- Measuring strip
- Care kit

Covers:

- Lift-off or 2 piece hinged
- 1 piece actuator-assisted, 20 - 60 gal.

Baskets:

- Single basket, 20 - 40 gal.
- Tri-basket insert
- Nylon bag insert with spreader ring



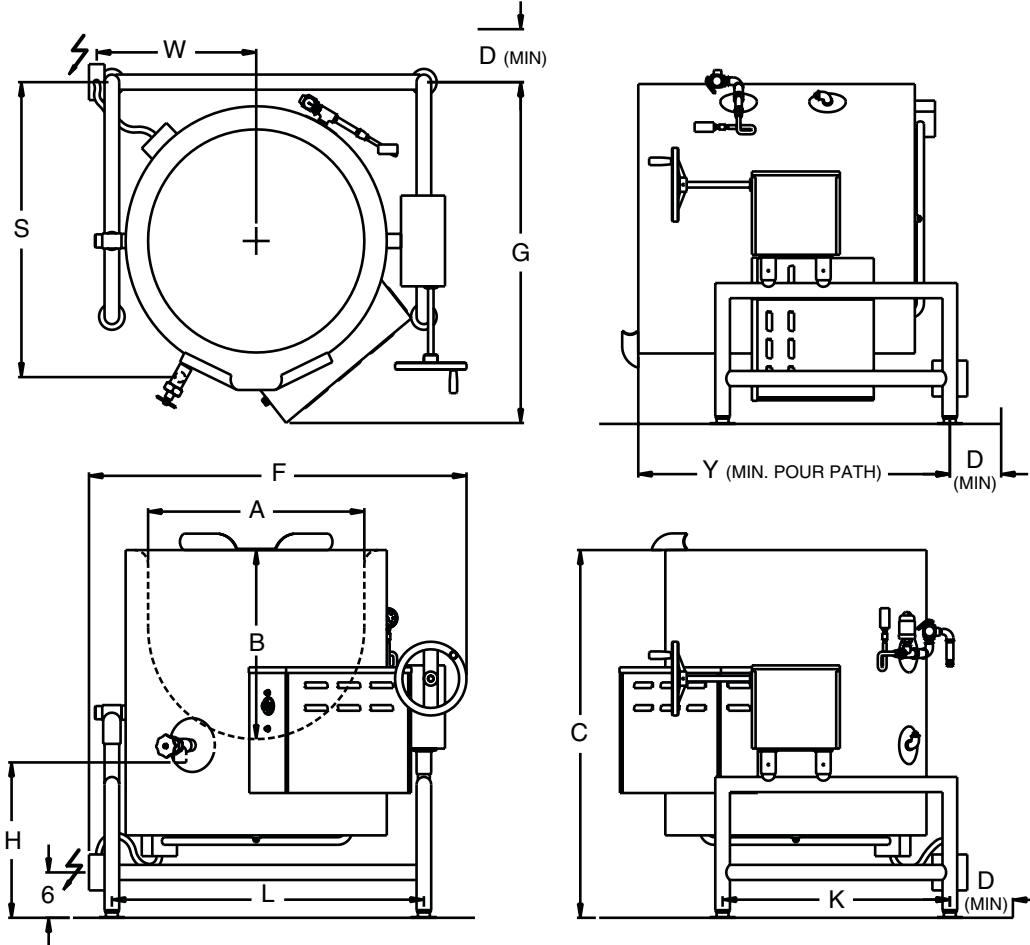
LEGION Legion Industries, Inc. P.O. Office Box 728 Waynesboro, GA 30830 (800) 887-1988
(706) 554-4411 Fax: (706) 554-2035 www.legionindustries.com sales@legionindustries.com

Model TWE

Electric, 2/3 Jacketed
Insulated for Safety™
Deep Drawn Construction
Tilting, Floor Mounted
Made in USA

Insulated Self- Contained Kettle

DRAWING REPRESENTS 60 GALLON MODEL WITH OPTIONAL 1 1/2 DRAW-OFF



MODEL TWE DIMENSIONS

GAL	A	B	C	D	F	G	H*	K	L	S*	W	Y
20	22.0	16.0	41.6	7.0	43.1	42.0	22.2	31.0	35.0	36	18.0	35.5
30	23.0	20.3	43.5	7.0	44.1	42.5	19.8	31.0	36.0	36	18.5	37.4
40	25.5	22.3	47.5	7.0	46.6	43.5	21.7	31.0	38.5	37.3	19.9	41.4
60	29.5	48.6	48.6	7.0	51.6	45.3	19.9	31.0	42.6	39.3	21.9	42.5

*Dimensions H & S apply only if an optional 2" draw-off is ordered. If a 3" draw-off is required, contact Legion for applicable dimensions.

MODEL TWE ELECTRICAL SPECIFICATIONS (AMPERES PER LEG)

GAL	KW	208 Volt		240 Volt		380 Volt		415 Volt		440 Volt		480 Volt	
		1ø	3ø	1ø	3ø	1ø	3ø	1ø	3ø	1ø	3ø	1ø	3ø
20	12	57.7	33.3	50.0	28.9	31.6	18.2	28.9	16.7	27.3	15.7	25.0	14.4
30	24	115.4	66.6	100.0	57.7	63.2	36.5	57.8	33.4	54.5	31.5	50.0	28.9
40	24	115.4	66.6	100.0	57.7	63.2	36.5	57.8	33.4	54.5	31.5	50.0	28.9
60	36	173.1	99.9	150.0	86.6	94.7	54.7	86.7	50.1	81.8	47.2	75.0	43.3

Revision 113



LEGION Legion Industries, Inc. P.O. Office Box 728 Waynesboro, GA 30830 (800) 887-1988
(706) 554-4411 Fax: (706) 554-2035 www.legionindustries.com sales@legionindustries.com