

# Direct Steam Kettle

2/3 Jacketed  
Deep Drawn Construction  
Tilting, Pedestal Mounted  
Made in USA

# Model TWP

## STANDARD FEATURES



### Model TWP-40

with optional automatic water filling meter

Legion equipment is built to comply with applicable standards for manufacturers. Approval agencies may include ASME, NSF, UL, ETL, AGA, CSA, CGA, and others. Legion reserves the right of design improvement or modification as warranted.

- ◆ Kettle System
  - ◇ Seamless deep-drawn 304 kettle liner
  - ◇ 304L seamless deep-drawn stainless kettle jacket
- ◆ 304 stainless, reinforced gear box
- ◆ Self-locking worm tilt gear mechanism
- ◆ 304 stainless, 2" tubular support frame
- ◆ 304 stainless pedestal base
- ◆ 30 psi operating pressure

## Models and Capacities

TWP-20	20 gal.	76 l.
TWP-30	30 gal.	114 l.
TWP-40	40 gal.	151 l.
TWP-50	50 gal.	189 l.
TWP-60	60 gal.	227 l.
TWP-80	80 gal.	303 l.
TWP-100	100 gal.	379 l.

Select draw-off valve:  2"  3"

With:  compression  ball type fitting

See price list for other draw-off options.

Revision 113

## Optional Features and Accessories

See price list for supplemental information regarding options

### Faucet Options:

- Single or double fill faucet with bracket & 12" or 18" swing nozzle
  - .48" flexible spray hose assembly (vinyl or stainless) for use with dual or single fill faucet
  - Faucet bracket
  - Automatic water filling meter
- (Call for information regarding additional faucet options)

### Prison/Security Options:

- Fastener (nut for draw-off)
- Draw-off nut driver tool
- Lockable lid
- Reinforced bar rim

### Other Options:

- Higher operating pressure
- Air eliminator valve
- Pressure reducing valve

### Other Options:

- Connection plumbing parts kit
- Mixer/Agitator, 2 speed

### Covers:

- Lift-off cover
- 1 piece actuator-assisted cover, 20 - 30 gallon

### Accessories:

- Draw-off drain hose
- Measuring strip
- Perforated disk strainer 1/4" or 1/8" holes
- Pour lip pan holder assembly
- Kettle care kit
- Single basket, 20 - 40 gal.
- Tri-basket insert
- Nylon bag insert with spreader ring



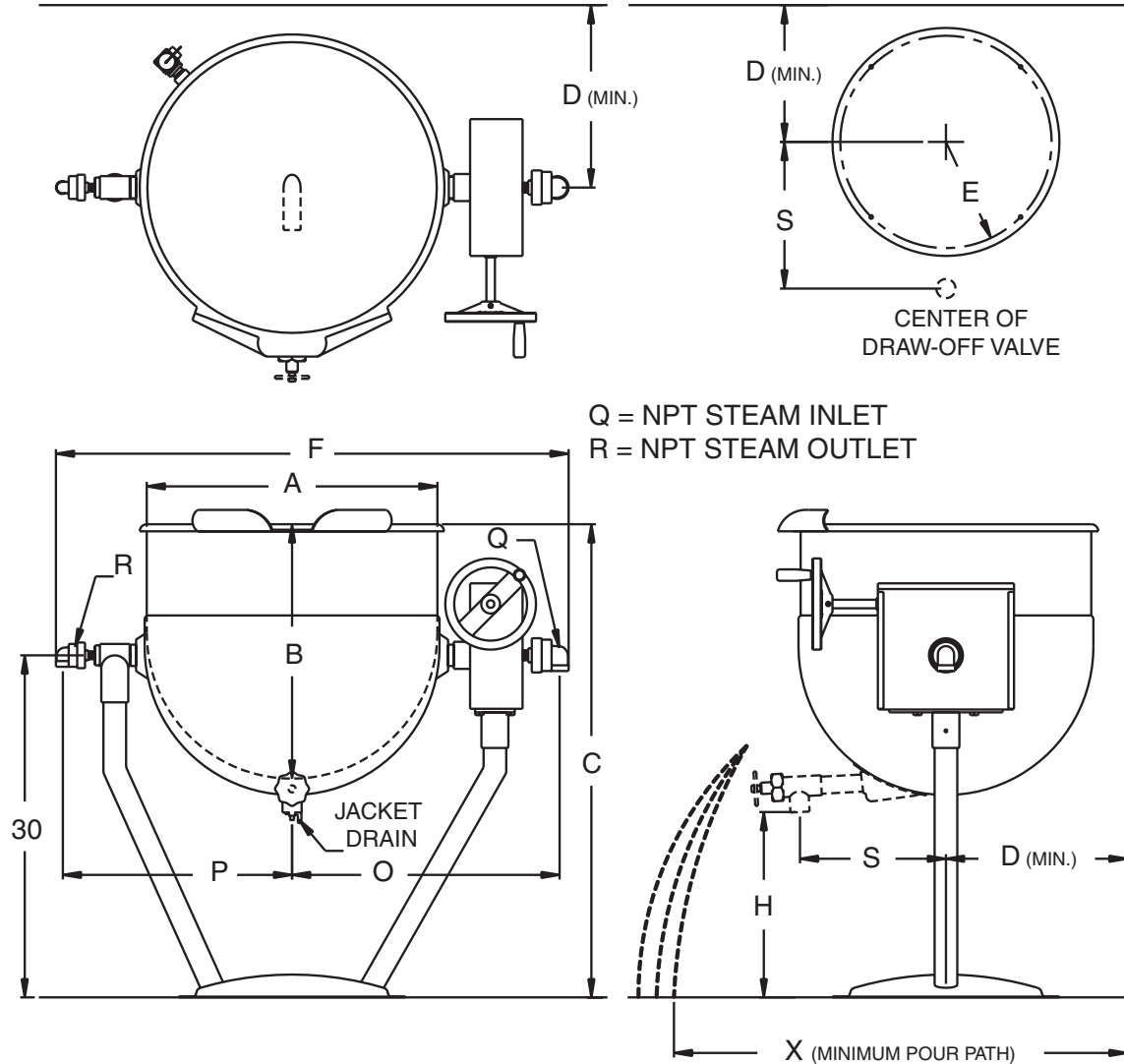
**LEGION** Legion Industries, Inc. P.O. Office Box 728 Waynesboro, GA 30830 (800) 887-1988  
(706) 554-4411 Fax: (706) 554-2035 www.legionindustries.com sales@legionindustries.com

# Model TWP

2/3 Jacketed  
Deep Drawn Construction  
Tilting, Pedestal Mounted  
Made in USA

# Direct Steam Kettle

DRAWING REPRESENTS MODEL TWP-40 WITH OPTIONAL 1 1/2" DRAW-OFF



MODEL TWP DIMENSIONS													
Gal.	A	B	C	D	E	F	H*	O	P	Q	R	S	X
20	22.0	16.0	39.0	13.9	7.9	40.8	20.0	21.4	18.0	.75	.50	13.0	21.9
30	23.0	20.3	41.3	15.9	7.9	42.5	18.0	22.3	18.9	.75	.50	13.0	26.0
40	25.5	22.3	41.5	17.9	9.4	45.3	16.3	23.6	20.3	.75	.50	13.0	28.4
50	29.5	21.8	38.3	21.0	9.4	49.6	13.5	25.9	22.5	.75	.50	14.0	28.3
60	29.5	25.0	41.5	21.0	9.4	49.6	13.5	25.9	22.5	.75	.50	14.0	31.5
80	32.5	27.6	43.4	22.0	9.4	53.3	12.8	27.3	24.3	.75	.75	14.0	34.4
100	39.0	25.9	41.3	23.5	11.8	58.8	12.3	30.0	27.0	.75	.75	17.8	33.8

\*"H" dimension varies with draw-off size selection.

Revised 113



**LEGION** Legion Industries, Inc. P.O. Office Box 728 Waynesboro, GA 30830 (800) 887-1988  
(706) 554-4411 Fax: (706) 554-2035 www.legionindustries.com sales@legionindustries.com